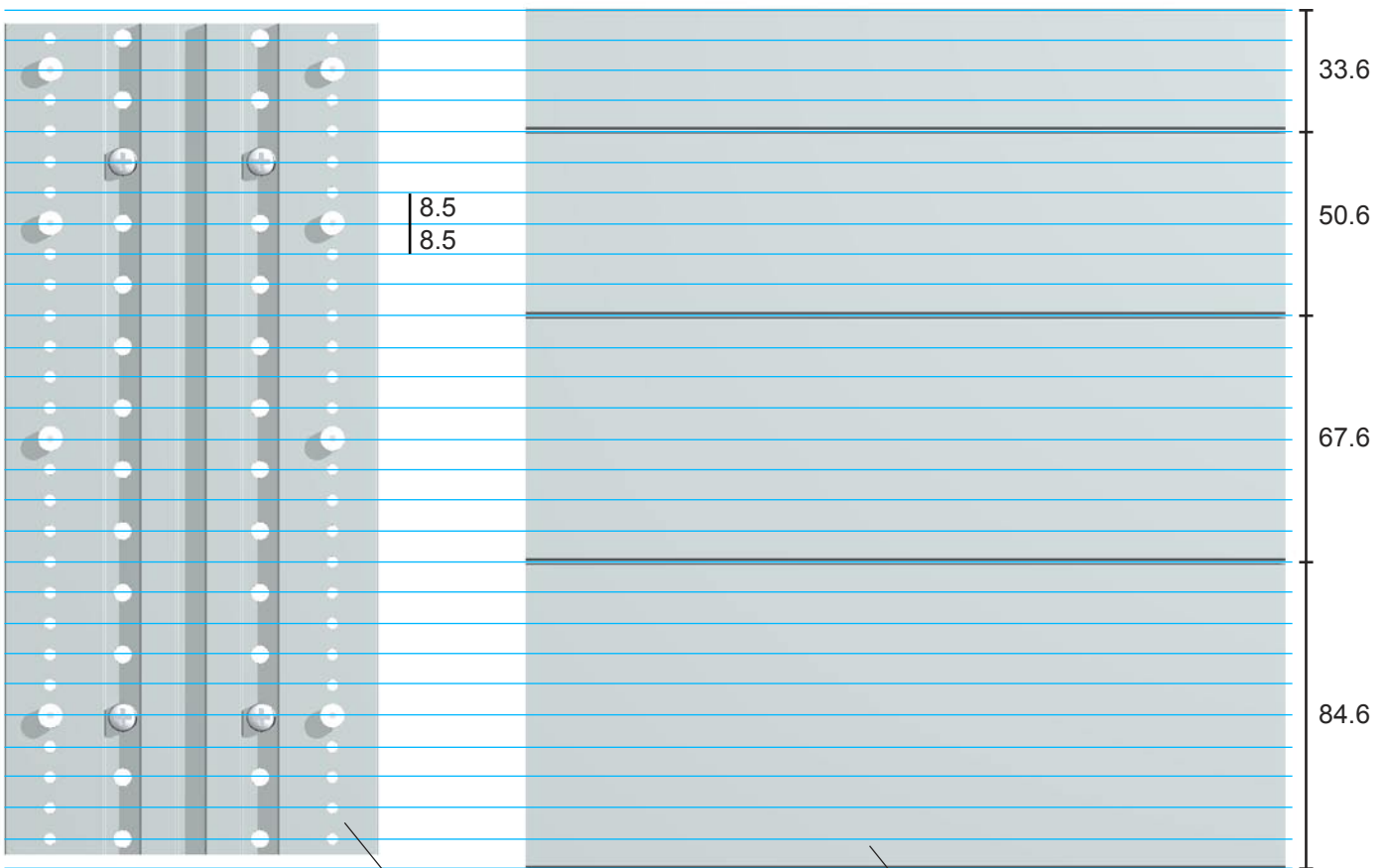


PlanSign

Mounting profile

The design of the PlanSign system is based on a modular dimension of 17 mm.



The graphic panels are mounted onto an aluminium profile. This mounting profile has two rows of pre-punched 5 mm Ø holes for wall mounting as well as two rows of 3 mm Ø holes for mounting of custom rivets to which the graphic panels are attached.

Hole spacing = 8.5 mm
= ½ module

Mounting profile

Graphic panels

PlanSign

Manual 1

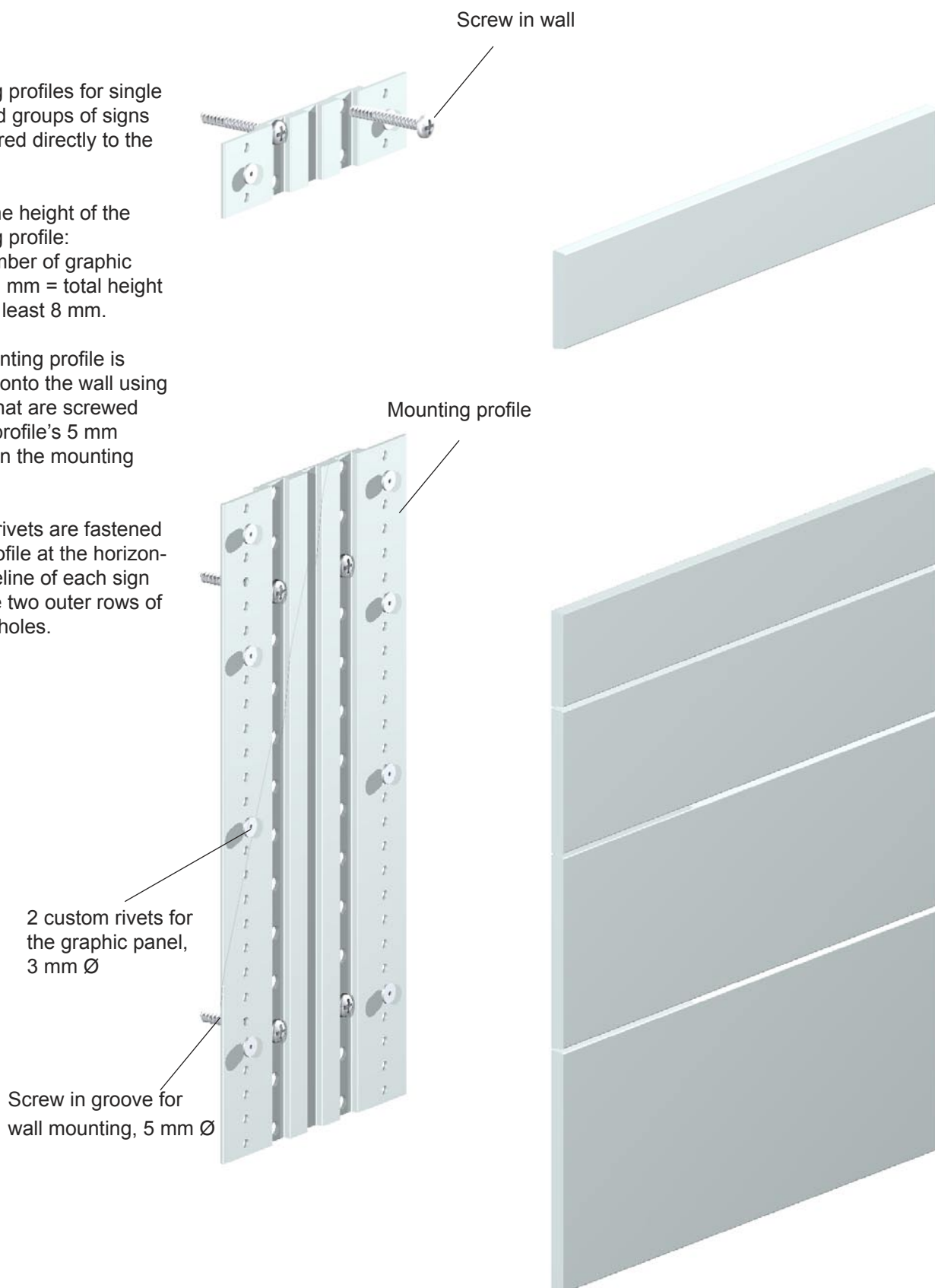
Wall-mounted signs in lengths of 120/150/210 and 297 mm

Mounting profiles for single signs and groups of signs are secured directly to the wall.

To find the height of the mounting profile:
Total number of graphic panels in mm = total height minus at least 8 mm.

The mounting profile is installed onto the wall using screws that are screwed into the profile's 5 mm \varnothing holes in the mounting grooves.

Custom rivets are fastened to the profile at the horizontal centreline of each sign using the two outer rows of 3 mm \varnothing holes.



PlanSign

Manual 2

Wall-mounted signs in lengths of 420/600/900 mm

Larger mounting profiles are used for wider signs.

To find the height of the mounting profile:

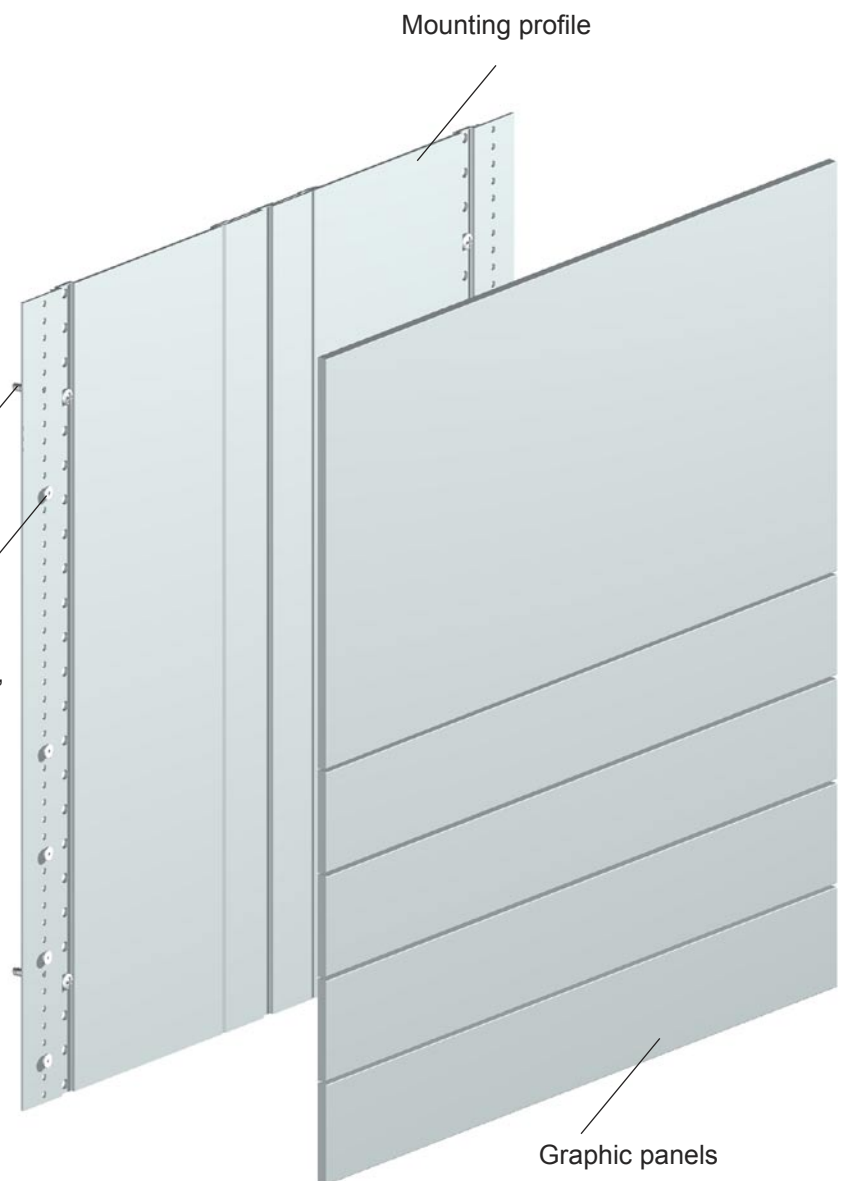
Total number of graphic panels in mm = total height minus at least 8 mm.

The mounting profile is installed onto the wall using screws that are screwed into the profile's 5 mm \varnothing holes in the mounting grooves.

Custom rivets are mounted to the profile at the horizontal centreline of each graphic panel using the two outer rows of 3 mm \varnothing holes.

Screw in groove for wall mounting, 5 mm \varnothing

Custom rivet for graphic panel, 3 mm \varnothing



PlanSign

Manual 3

Projecting signs in lengths of 150/210 mm

Projecting signs are mounted on a base of two mounting profiles riveted back to back with a wing profile.

Projecting profiles are supplied in DanSign standard heights:

- 154 mm for 210 x 204 mm panels
- 103 mm for 150 x 153 mm panels
- 35 mm for 150/210 x 51 mm panels
- 35 mm for 150/210 x 67 mm panels
- 35 mm for 210 x 85 mm panels

The mounting profile and the projecting profile are cut to the same height.

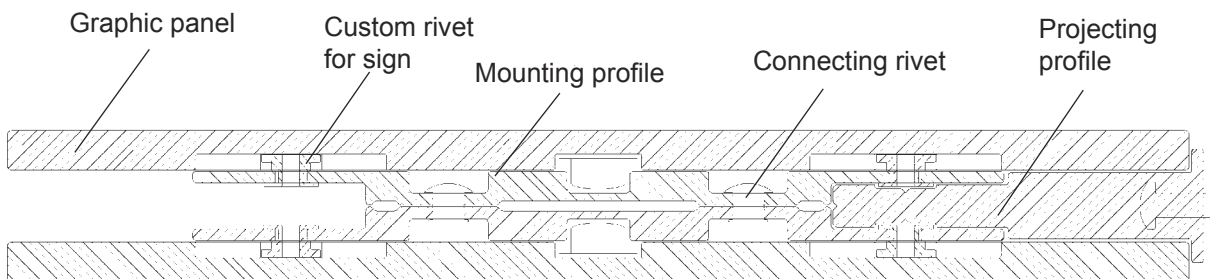
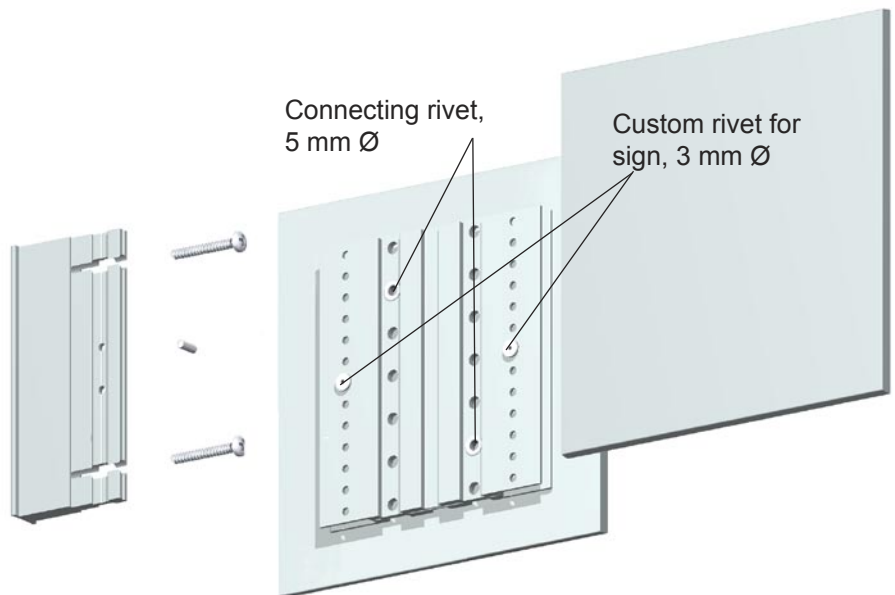
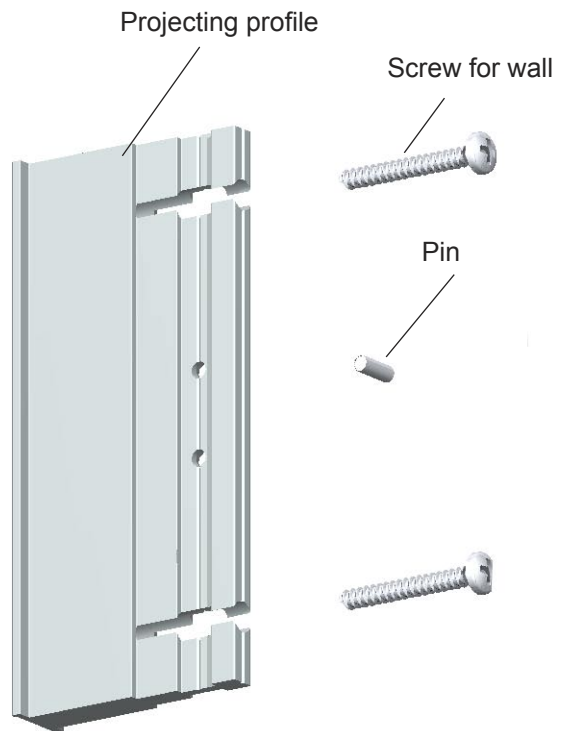
Custom rivets are fastened to the outer row of holes at the centre line of each graphic panel.

The projecting profile is screwed onto the wall.

The riveted mounting profiles are slotted into the projecting profile, the upper and the lower edges on both profile sets must flush with each other.

A pin is inserted through the mounting profiles and one of the corresponding holes in the projecting profile to attach the mounting profiles in height.

Finally, the graphic panels are mounted.



PLAN DRAWING

PlanSign

Manual 4

Suspended signs 420 mm

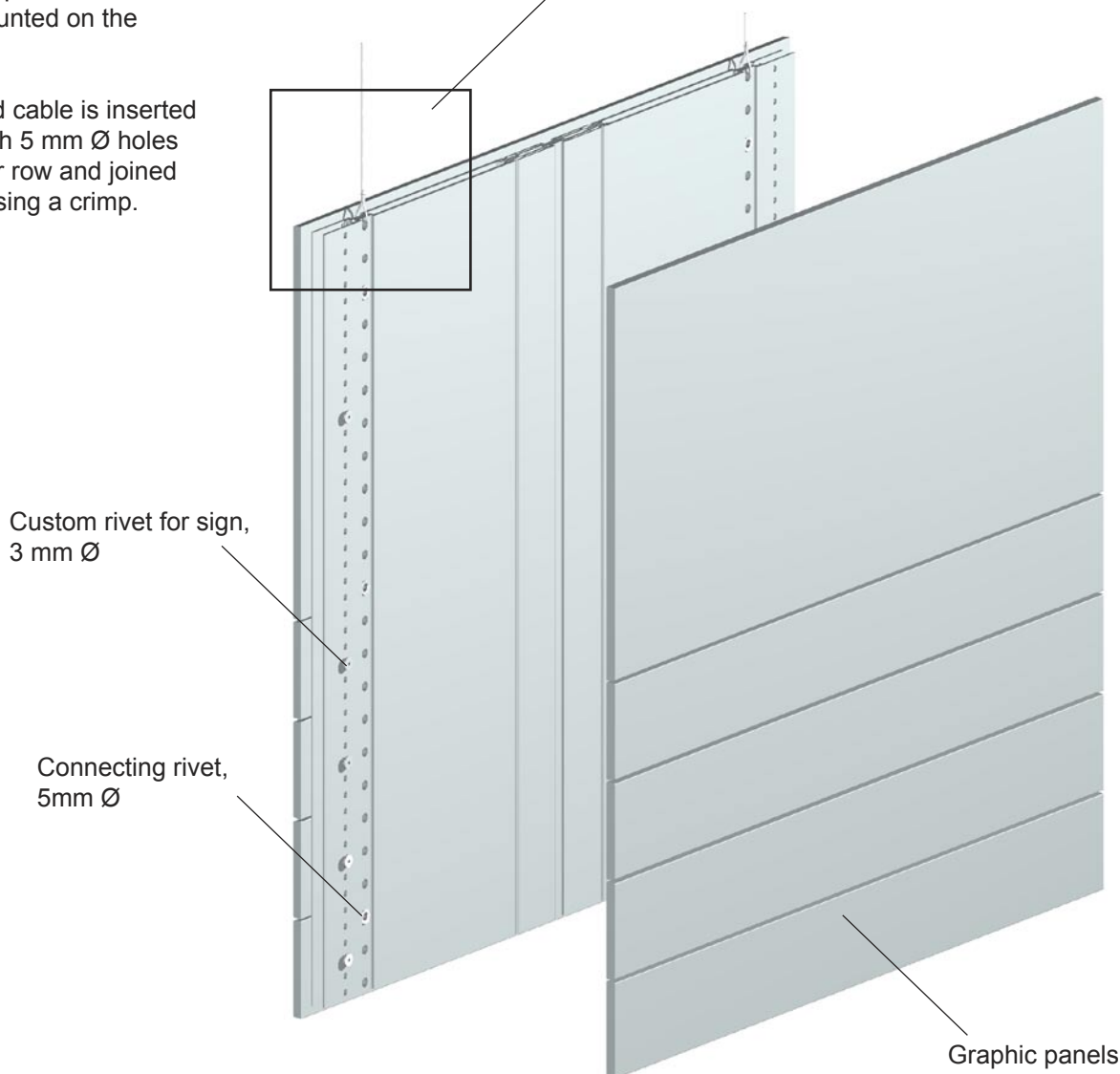
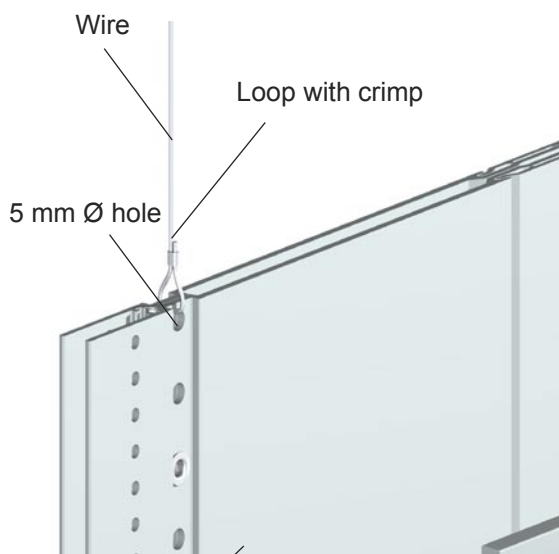
Suspended signs are mounted on a base composed of two mounting profiles. The profile heights are identical.

The mounting profiles are riveted back to back.

Custom rivets are fastened to the outer row of holes on a level with the centre of each sign.

The signs are suspended on braided cables (approx. 1.0 mm Ø); pendant tubes may be mounted on the wires.

The braided cable is inserted through both 5 mm Ø holes in the upper row and joined as a loop using a crimp.



PlanSign

Manual 5

Suspended signs 600/900 mm

Suspended signs are mounted on a base composed of two mounting profiles and two hanging profiles. The profile heights are identical.

The mounting profiles are riveted back to back.

For lengths above 420 mm the riveted mounting profiles are extended using a hanging profile; the upper and lower edges of the profiles have to be flush with each other.

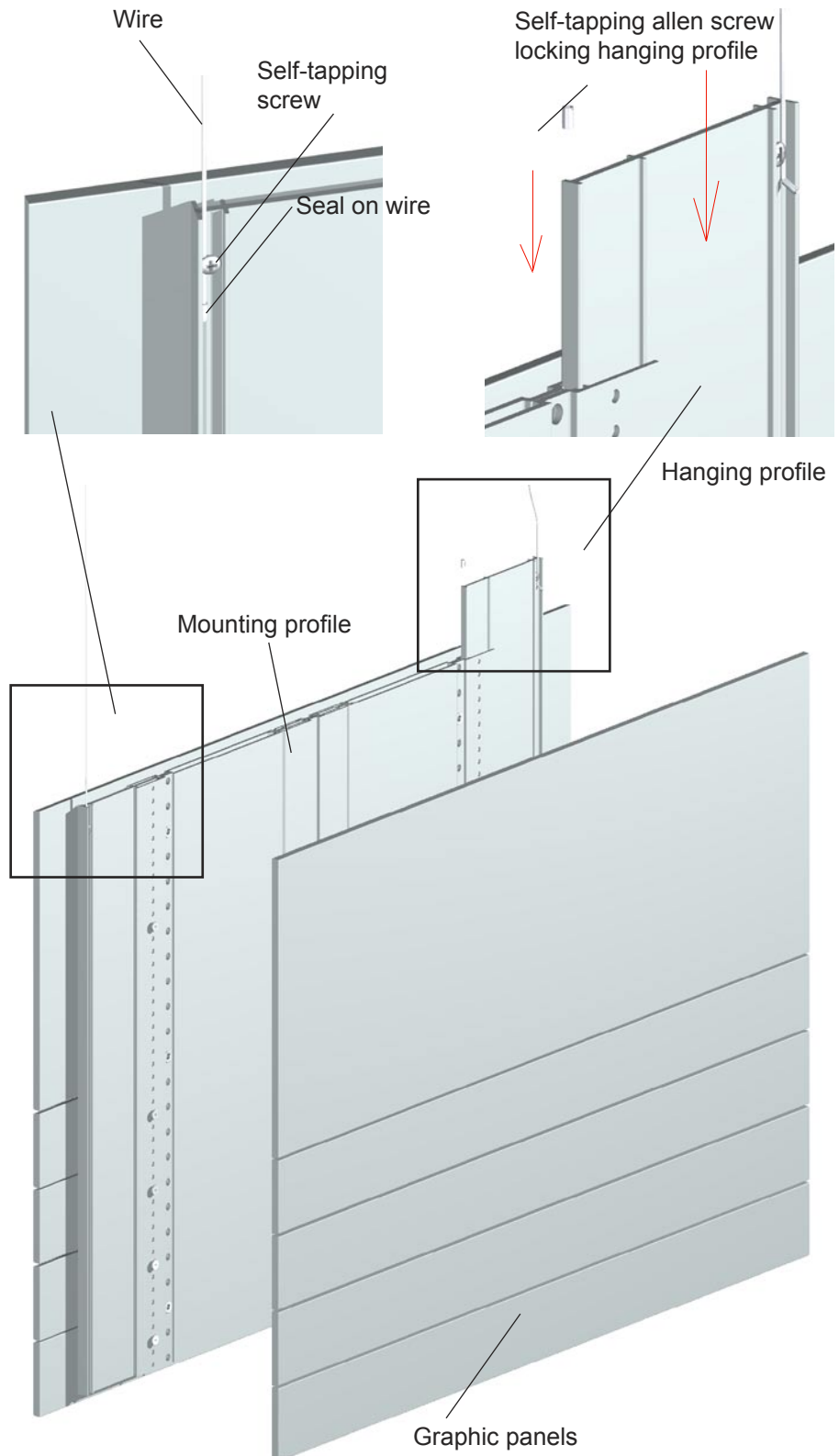
Custom rivets are mounted in the outer row of holes in line with the centre of each graphic panel.

To install the hanging profiles onto the mounting profiles:

The hanging profiles are inserted into a groove located at the gable of the two assembled mounting profiles, the height is adjusted so that upper and lower edges are flush to each other, and the profile is fixed at the top using a self-tapping allen screw.

The signs are suspended on two raised cables (approx. 1.0 mm Ø); pendant tubes may be mounted on the cables.

Each cable is crimped at the end. The sealed cable is screwed tightly in place using a self-tapping screw guided by the screw groove. In that way the wire is fixed by the screw, which prevents the crimp from passing through. For fine level adjusting, slightly loosen the screw, adjust the length and retighten the screw.



PlanSign

Manual 6

Pylon 420 mm

Standing pylons are mounted using special post profiles attached to a base plate.

The pylon is attached to a rectangular 10 mm base plate. Attachment is made through the fixing holes on the post profiles. The base plate is pre-drilled with 7 mm Ø holes with countersinking of 13 mm for floor anchoring.

Custom rivets are mounted in the outer row of holes on a level with the centre of each sign.

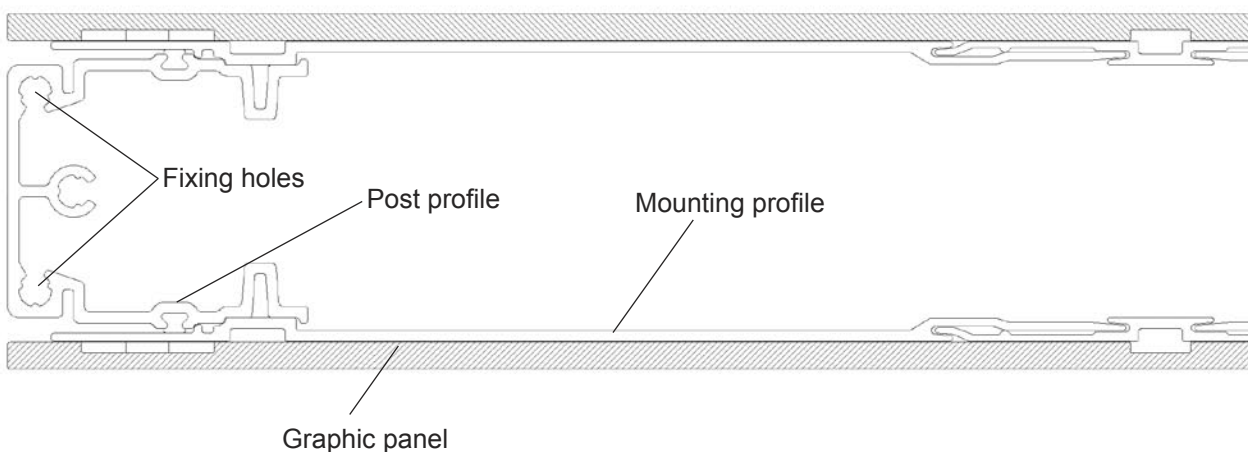
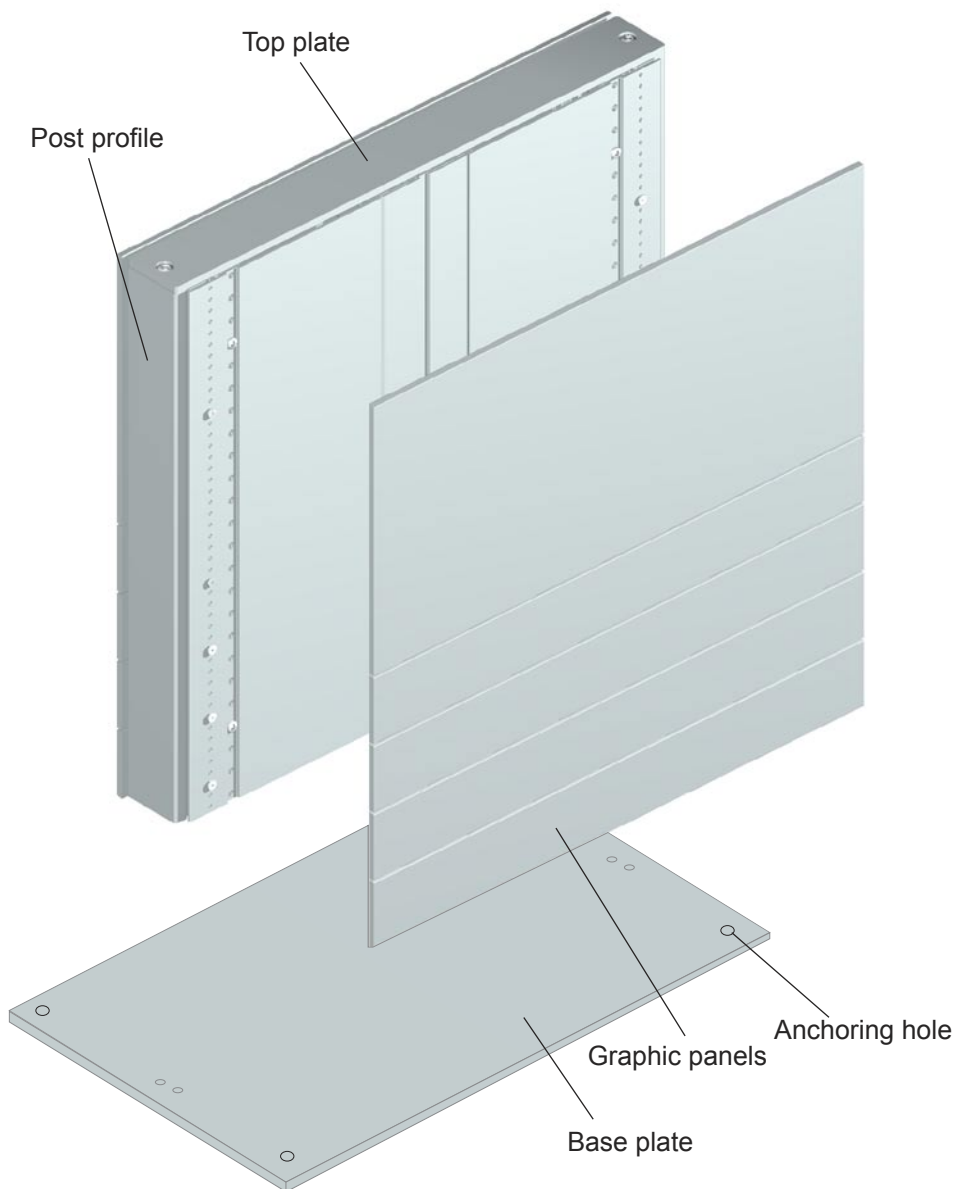
Mounting sequence:

First, the post profiles are mounted onto the base plate. Then the mounting profiles are screwed into the vertical mounting groove of the post profiles using self-tapping screws.

Finally, the top plate is screwed tightly onto the post profiles. The graphic panels may now be mounted.

Base plate format, 420 x 215 mm with screw holes for attachment.

Pylons may be anchored into concrete using extended post profiles.



PlanSign

Manual 7

Pylon 600/900 mm

Standing pylons are mounted using special post profiles attached to a base plate.

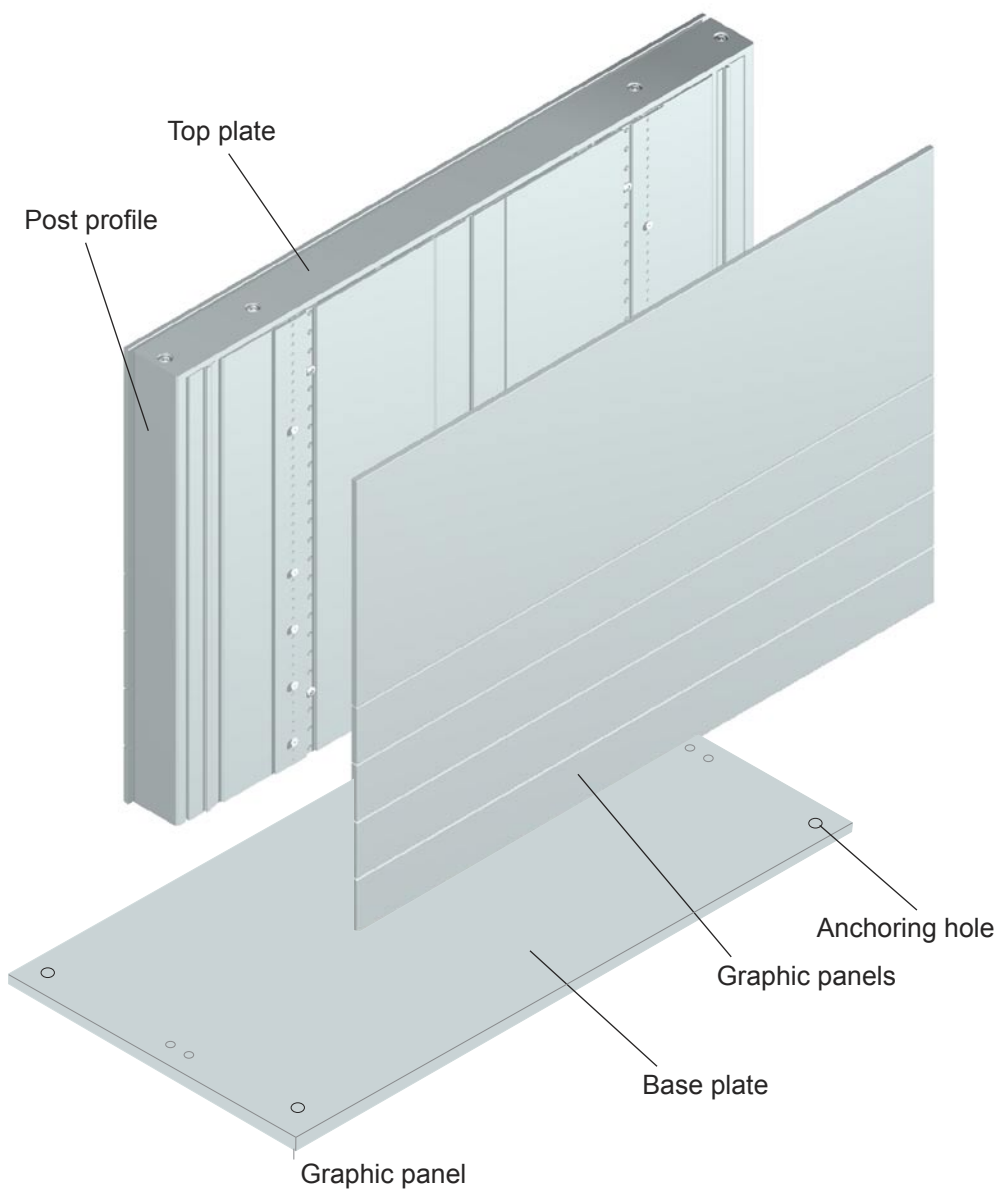
The pylon is attached to a rectangular 10 mm base plate. Attachment is made through the fixing holes on the post profiles. The base plate is pre-drilled with 7 mm Ø holes with countersinking of 13 mm for floor anchoring.

Custom rivets are mounted in the outer row of holes on a level with the centre of each sign.

Four U-profiles are used for 600/900 signs.

Mounting sequence:

First, the post profiles are mounted onto the steel plate, then the U-profiles are mounted using tape. The mounting profiles are screwed onto the two inner post profiles. Finally, the top plate is screwed tightly onto the post profiles. The graphic panels may now be mounted.



Base plate format, 600 x 310 mm with holes for attachment.

